

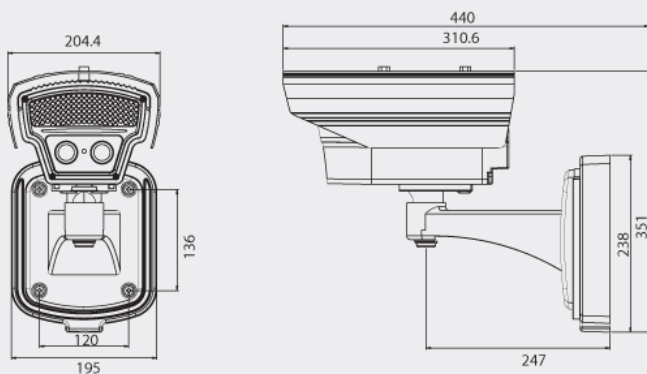


### Features

- 1/3" PIXIM DPS Sensor & SONY Super HAD CCD
- High Resolution : 530TVL(Color) & 600TVL(BW)
- Dual DC Iris Vari-focal lens (f=3.8~9.5mm)
- **Ultra Wide Dynamic Range**
- **Built-in IR LED 112EA, 1 Sensor**
- DSS, OSD, Privacy Zone
- SDNR (Super Digital Noise Reduction)
- Auto White Balance
- AGC/BLC/Flickerless (On/Off)
- Weather-proof Housing
- RS485(Pelco-D)
- Built in Fan/Heater



### DIMENSIONS



### SPECIFICATIONS

Model	BD7660NVR	BD7660PVR
Signal System	NTSC	PAL
Scanning System	2:1 Interlace	
Scanning Frequency (H)	15.734 KHz	15.625 KHz
Scanning Frequency (V)	59.94 Hz	50 Hz
Image Sensor	1/3 inch PIXIM DPS Sensor (Color) & SONY Super HAD CCD(BW)	
Total Pixels	811(H) x 508(V) 410K	795(H) x 596(V) 470K
Total / Effective Pixels	768(H) x 494(V) 380K	752(H) x 582(V) 440K
Horizontal Resolution	530TVL (Color) & 600TVL (BW)	
Video Output	1.0V p-p (75Ω, Composite)	
S/N Ratio	Color : More than 50dB(AGC Off) / BW : More than 46dB (AGC Off)	
Lens	Dual DC Iris Vari-focal Lens (f=3.8~9.5mm)	
Min. Illumination	0.08Lux(DSS On, B/W), 0.000Lux (IR LED On)	
Ultra Wide Dynamic Range	102dB (Typical) / 120dB (Max.)	
Digital Noise Reduction	On/Off	
IR LED and Sensor	IR LED (850nm, 30°) 112 EA, Sensor 1EA	
IR LED Visible Range	Max. 60m	
White Balance	ATW(2000°K~11000°K) / AWC / MANUAL	
AGC,BLC	Auto / Zone Selectable	
Flickerless	Auto-FFF On/Off	
OSD	On/Off	
Privacy Zone	On/Off (12 Programmable)	
IP Rating	IP65	
Operating Temperature	-10℃ ~ +50℃(Recommendation : -5℃ ~ +40℃)	
Supplied Voltage	DC 9V~13.2V (Recommendation DC12V±0.5V)	
Adaptor	Including 12VDC, 5A	
Dimensions (WxHxD)	204.4 x 351 x 440	
Weight	Approx. 6 kg	